

功能 Features

SMD晶体单元
 高精度，高频率稳定
 为减少电磁干扰的影响非常好
 蓝牙无线通信集 DSC，PDA和手机最好的选择
 符合RoHS/无铅



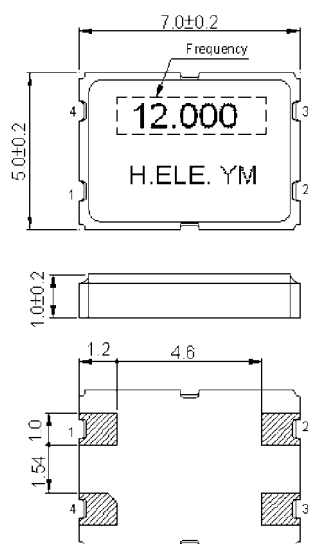
Electrical Specifications 技术参数

项目	Item / Type	0507
频率范围	Frequency Range	6.0 — 125.000 MHz
调整频差	Frequency Tolerance (at 25 °C)	± 10 — ± 100 ppm (TYP.)
温度频差	Frequency Stability Over	± 10 — ± 100 ppm (TYP.)
工作温度范围	Operating Temperature Range	-10 — +60 , -20 — +70
静电容	Shunt Capacitance (C0)	7.0pF max
激励功率	Drive Level	1 ~ 100 μW (100 μW typical)
负载电容	Load Capacitance	6PF—32PF
老化	Aging (at 25 °C)	± 1ppm , ± 2ppm , ± 3ppm/year
储存温度范围	Storage Temperature Range	- 40 ~ + 85 °C

Equivalent Series Resistance(ESR) 等效阻抗

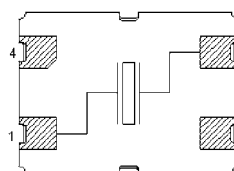
Fundamental	3rd Overtone
8 ~ 12 MHz 80 Ω Max.	40 ~ 80 MHz 100 Ω Max.
12 ~ 54 MHz 50 Ω Max.	

外形尺寸 Dimensions



Internal Connections

<Top View>



Recommended Land Pattern (mm)

<Top View>

